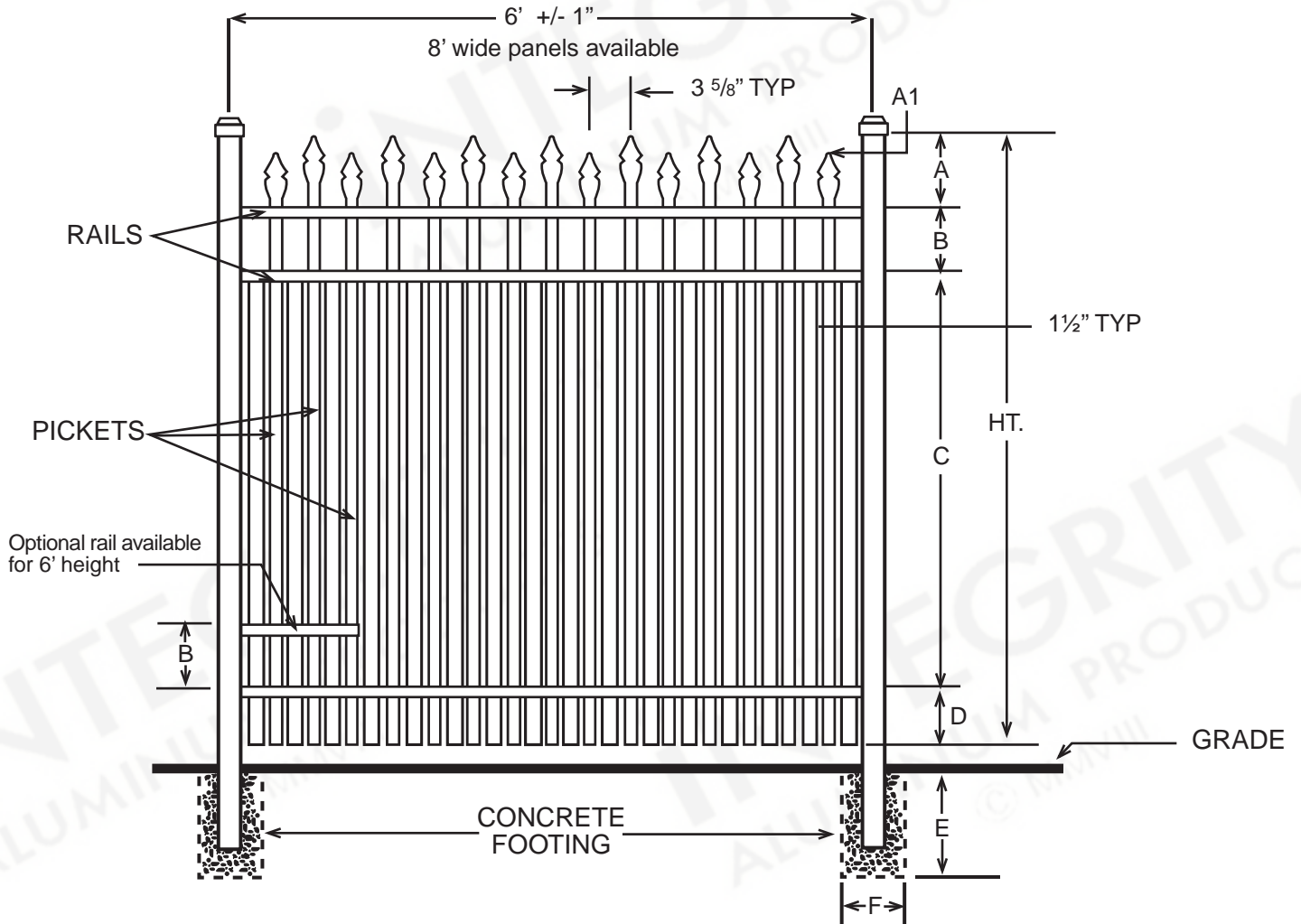


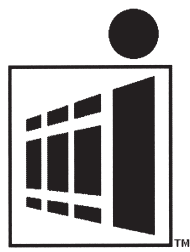
**INTEGRITY™**  
ALUMINUM PRODUCTS  
800.762.8876



**BELLA TERRA™**  
PREMIER EXTREME

DIMENSIONS							
HT	A	A1	B	C	D	E	F
3'	4½"	1½"	6"	20"	5½"	Per Local Code	
3½'	4½"	1½"	6"	26"	5½"	Per Local Code	
4'	4½"	1½"	6"	32"	5½"	Per Local Code	
5'	4½"	1½"	6"	44"	5½"	Per Local Code	
6'	4½"	1½"	6"	56"	5½"	Per Local Code	
All Dimensions Are Nominal							

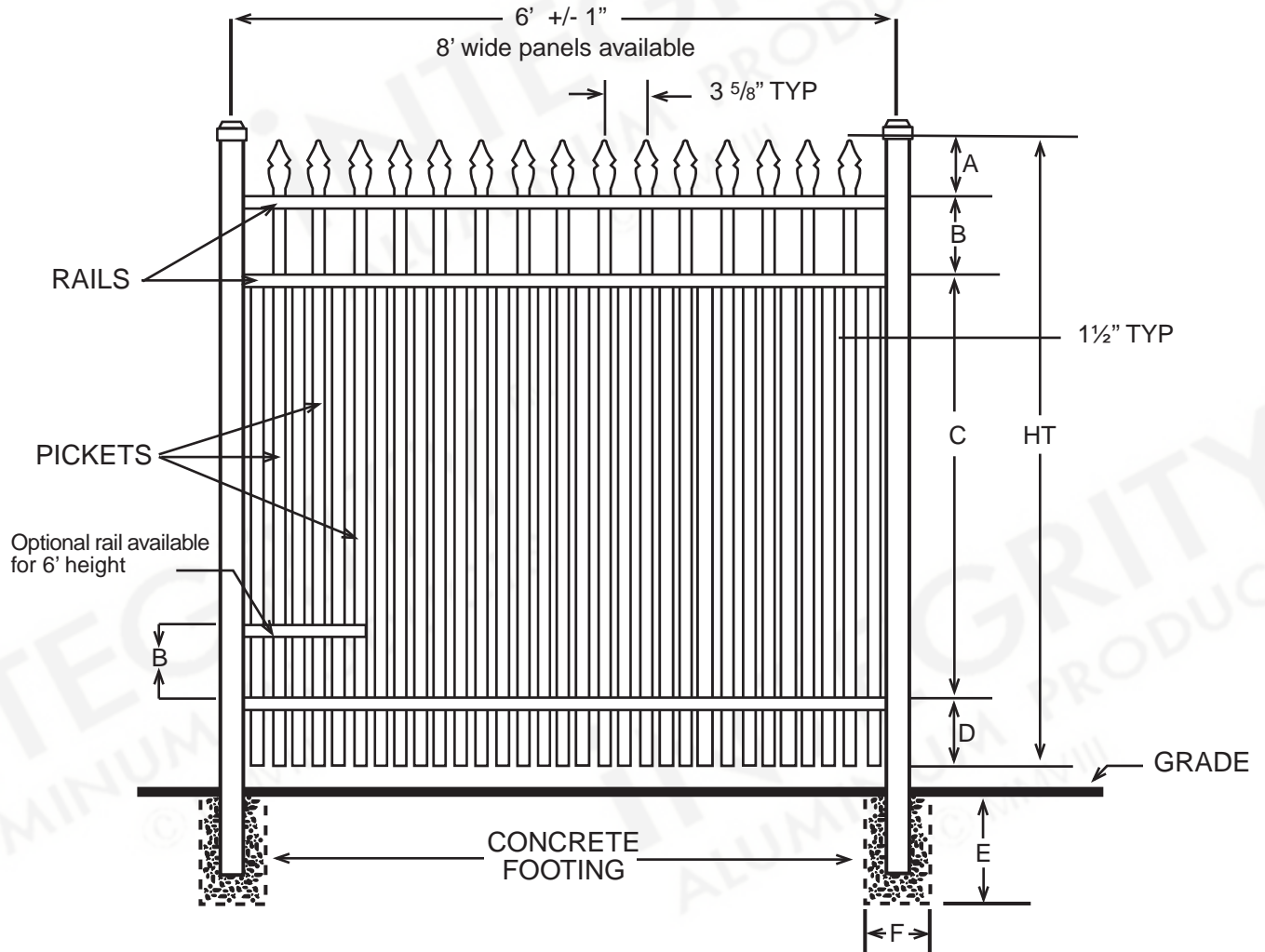
SPECIFICATIONS COMMERCIAL PREMIER	
Posts Available	2" x 2" x .080 Wall 2" x 2" x .125 Wall 2½" X 2½" X .100 Wall 3" x 3" x .125 Wall
Horizontal Rails Side Walls Top Walls	1⅜" x 1¼" .088" .065"
Pickets Picket Spacing	¾" x ¾" x .055 Wall 1½"
Heights Available	3, 3½, 4, 5 & 6 Ft.
Widths Available	6 & 8 Ft.



# INTEGRITY™

ALUMINUM PRODUCTS

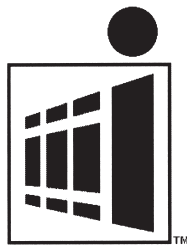
800.762.8876



## BELLA VISTA™ PREMIER EXTREME

DIMENSIONS						
HT	A	B	C	D	E	F
3'	4½"	6"	20"	5½"	Per Local Code	
3½'	4½"	6"	26"	5½"	Per Local Code	
4'	4½"	6"	32"	5½"	Per Local Code	
5'	4½"	6"	44"	5½"	Per Local Code	
6'	4½"	6"	56"	5½"	Per Local Code	
All Dimensions Are Nominal						

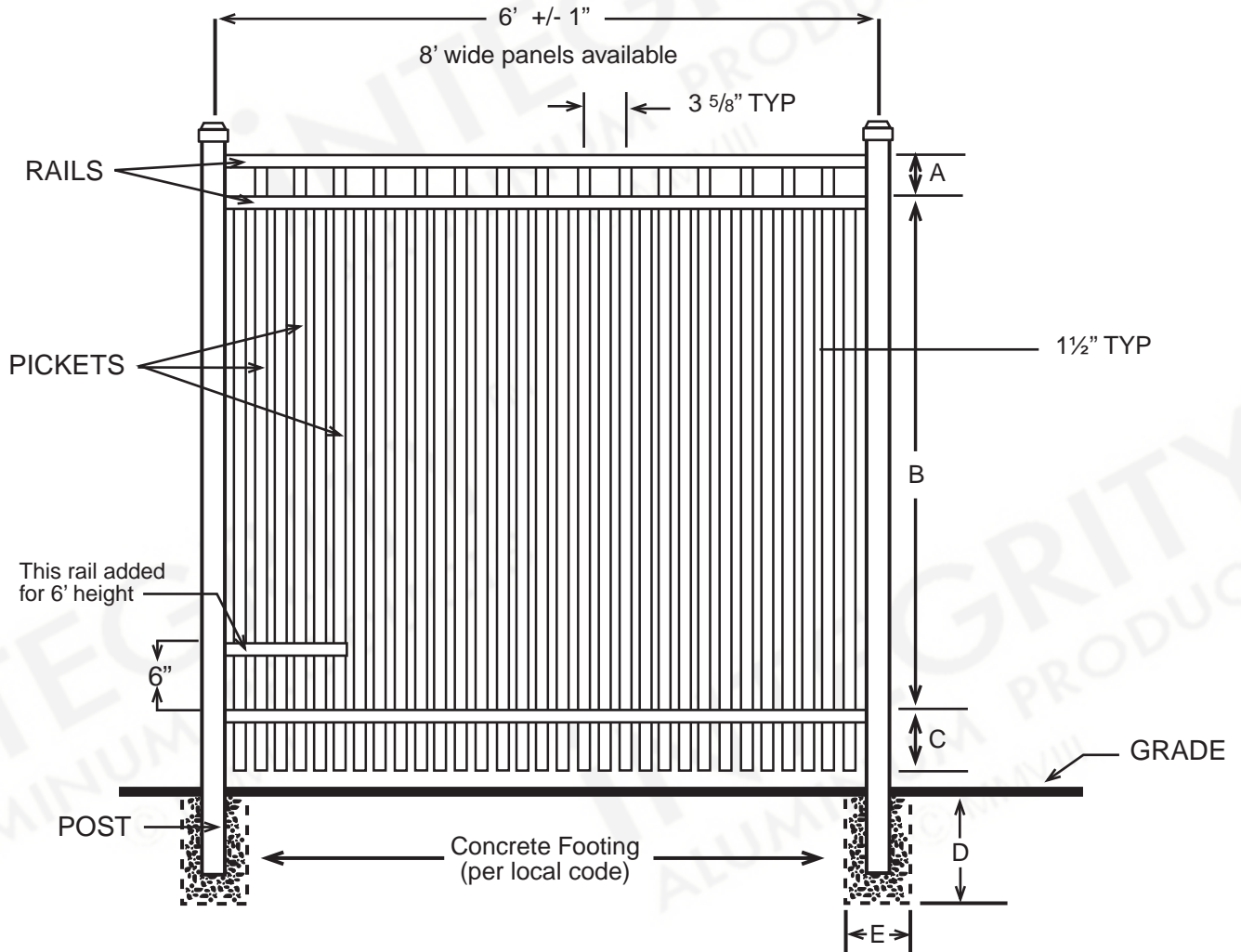
SPECIFICATIONS COMMERCIAL PREMIER	
Posts Available	2" x 2" x .080 Wall 2" x 2" x .125 Wall 2½" X 2½" X .100 Wall 3" x 3" x .125 Wall
Horizontal Rails Side Walls Top Walls	1⅜" x 1¼" .088" .065"
Pickets Picket Spacing	¾" x ¾" x .055 Wall 1½"
Heights Available	3, 3½, 4, 5 & 6 Ft.
Widths Available	6 & 8 Ft.



# INTEGRITY™

## ALUMINUM PRODUCTS

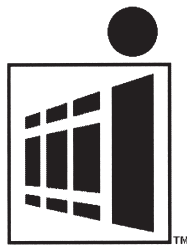
800.762.8876



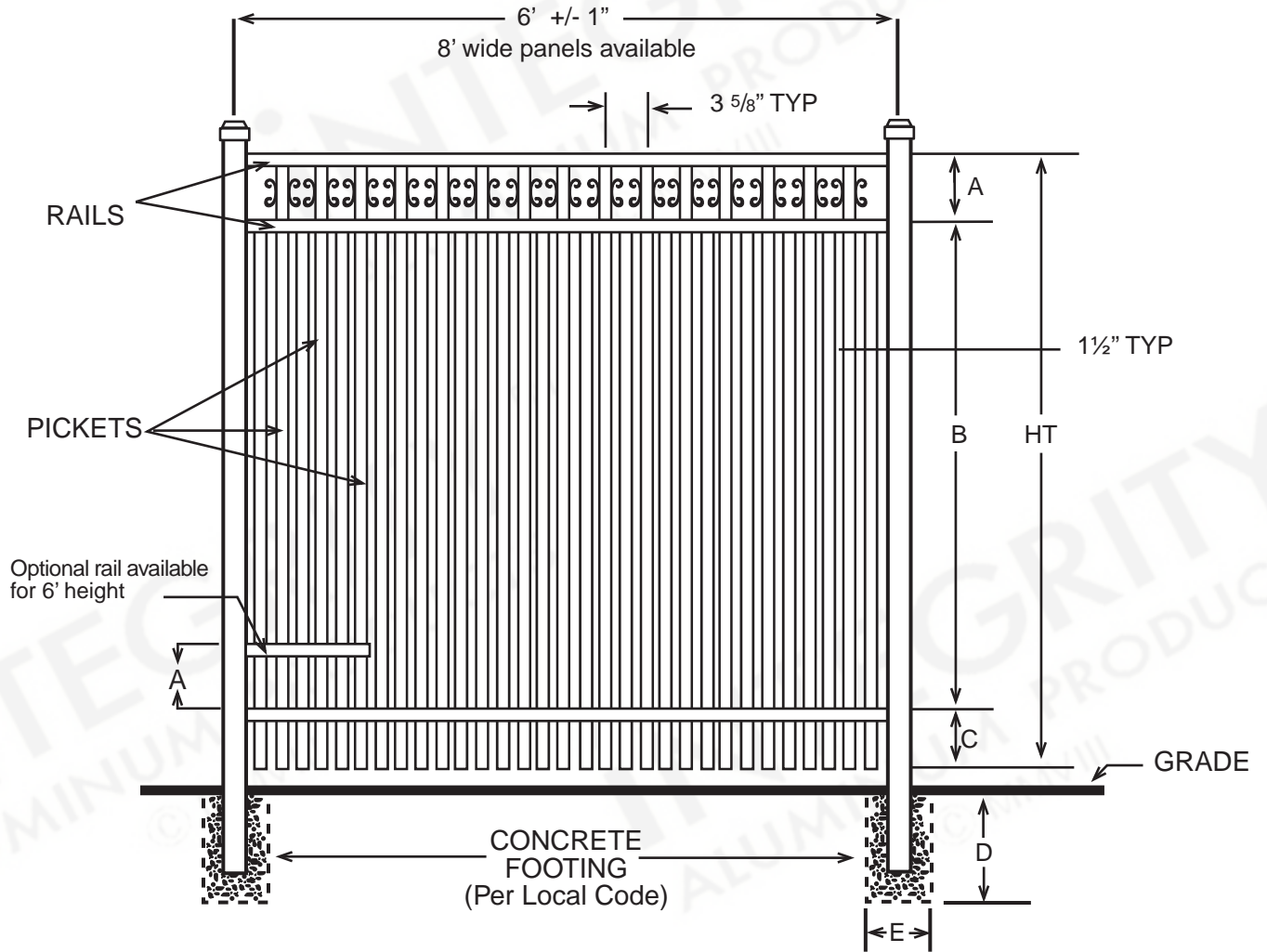
## BOCA GRANDE™ PREMIER EXTREME

DIMENSIONS					
HT	A	B	C	D	E
3'	2"	28½"	5½"	Per Local Code	
3½'	2"	34½"	5½"	Per Local Code	
4'	2"	40½"	5½"	Per Local Code	
5'	2"	52"	5½"	Per Local Code	
6'	2"	64"	5½"	Per Local Code	
All Dimensions Are Nominal					

SPECIFICATIONS COMMERCIAL PREMIER	
Posts Available	2" x 2" x .080 Wall 2" x 2" x .125 Wall 2½" X 2½" X .100 Wall 3" x 3" x .125 Wall
Horizontal Rails Side Walls Top Walls	1⅜" x 1¼" .088" .065"
Pickets Picket Spacing	¾" x ¾" x .055 Wall 1½"
Heights Available	3, 3½, 4, 5 & 6 Ft.
Widths Available	6 & 8 Ft.



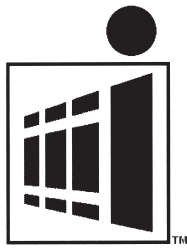
**iNTEGRITY™**  
 ALUMINUM PRODUCTS  
 800.762.8876



**CAMARILLO™**  
 PREMIER EXTREME

DIMENSIONS					
HT	A	B	C	D	E
3'	6"	24½"	5½"	Per Local Code	
3½'	6"	30½"	5½"	Per Local Code	
4'	6"	36½"	5½"	Per Local Code	
5'	6"	48½"	5½"	Per Local Code	
6'	6"	60½"	5½"	Per Local Code	
All Dimensions Are Nominal					

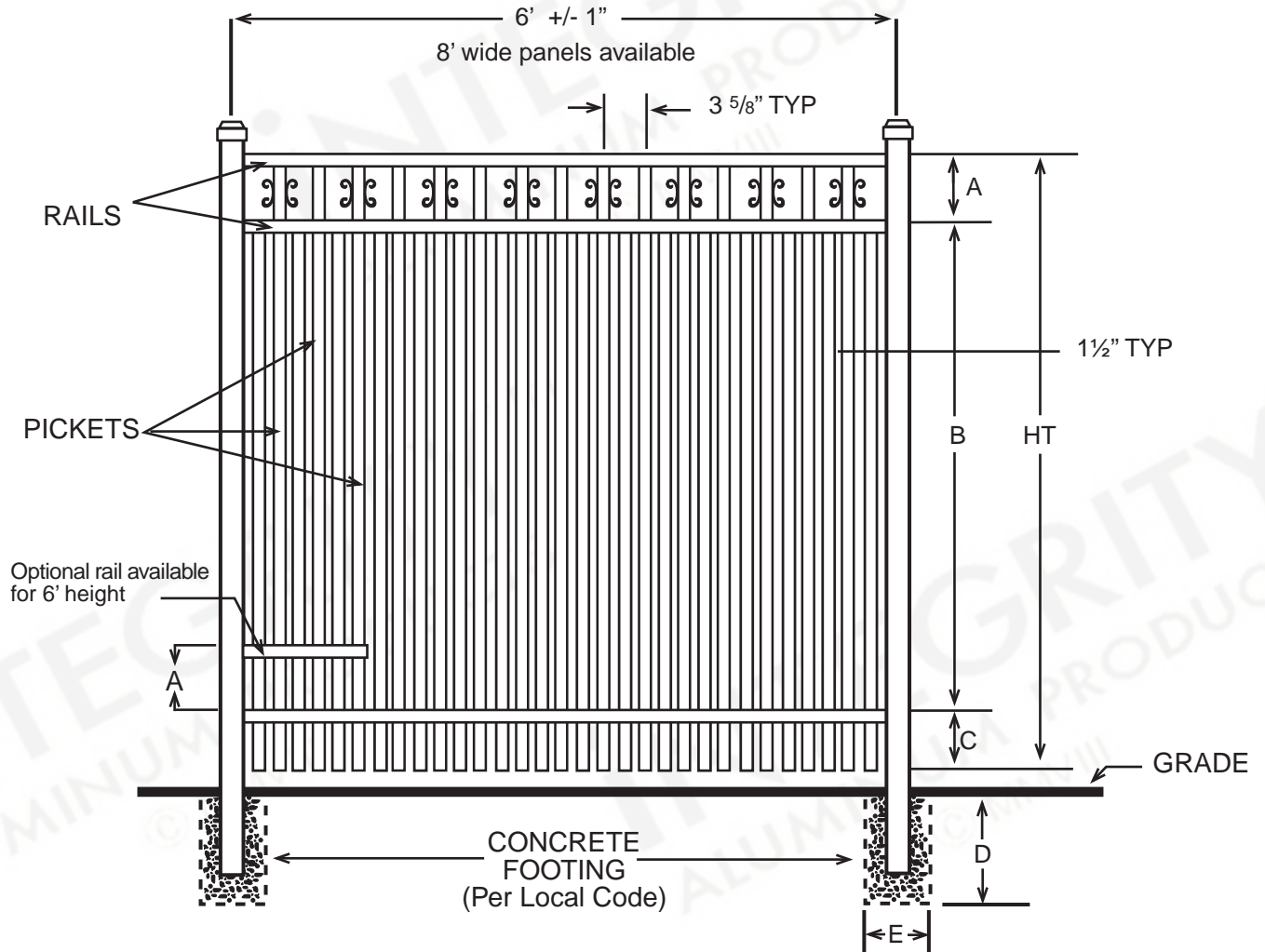
SPECIFICATIONS COMMERCIAL PREMIER	
Posts Available	2" x 2" x .080 Wall 2" x 2" x .125 Wall 2½" X 2½" X .100 Wall 3" x 3" x .125 Wall
Horizontal Rails Side Walls Top Walls	1⅜" x 1¼" .088" .065"
Pickets Picket Spacing	¾" x ¾" x .055 Wall 1½"
Heights Available	3, 3½, 4, 5 & 6 Ft.
Widths Available	6 & 8 Ft.



# iNTEGRITY™

## ALUMINUM PRODUCTS

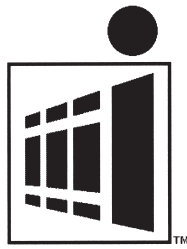
800.762.8876



## CAMARILLO LIGHT™ PREMIER EXTREME

DIMENSIONS					
HT	A	B	C	D	E
3'	6"	24½"	5½"	Per Local Code	
3½'	6"	30½"	5½"	Per Local Code	
4'	6"	36½"	5½"	Per Local Code	
5'	6"	48½"	5½"	Per Local Code	
6'	6"	60½"	5½"	Per Local Code	
All Dimensions Are Nominal					

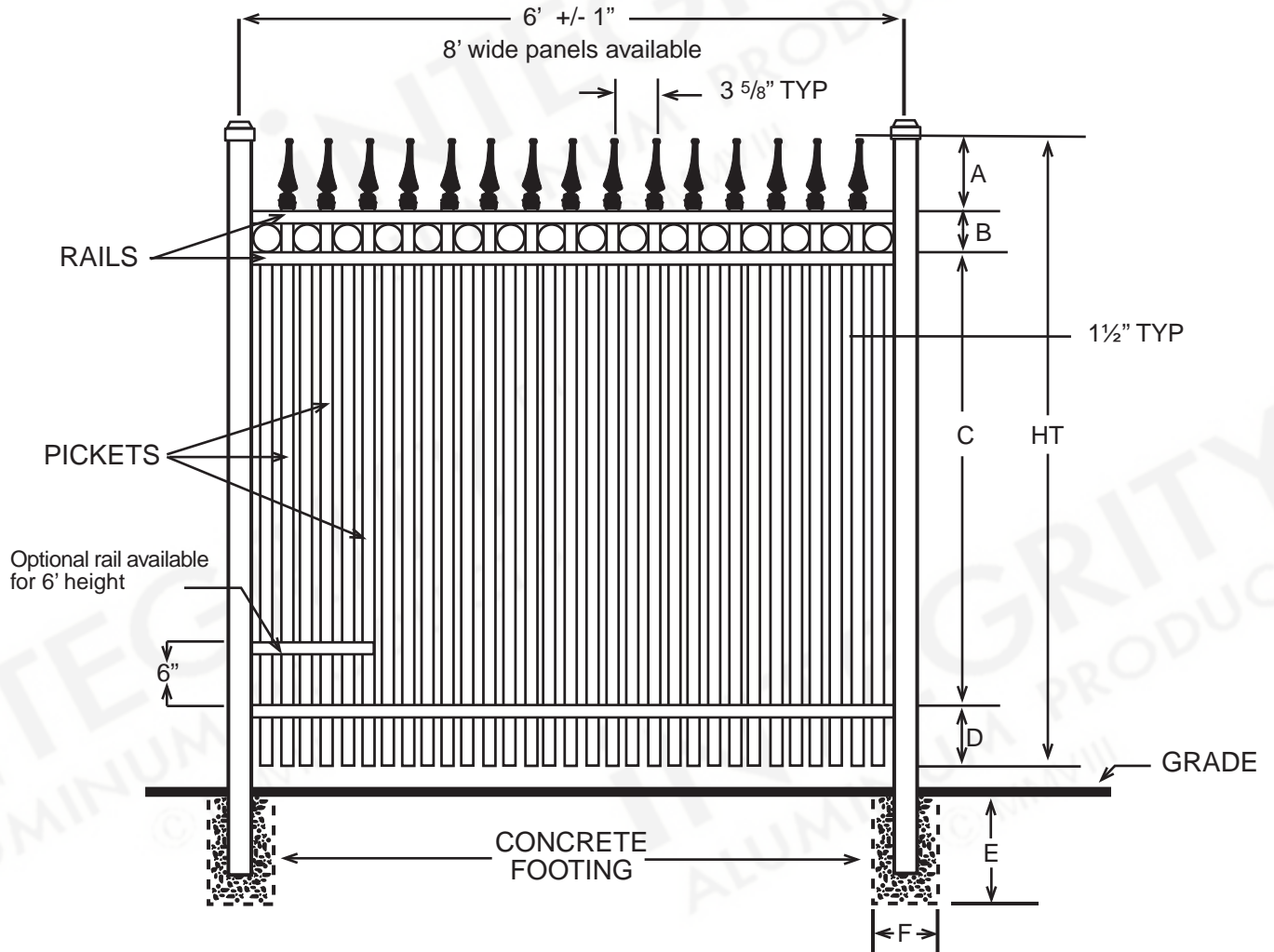
SPECIFICATIONS COMMERCIAL PREMIER	
Posts Available	2" x 2" x .080 Wall 2" x 2" x .125 Wall 2½" X 2½" X .100 Wall 3" x 3" x .125 Wall
Horizontal Rails Side Walls Top Walls	1⅜" x 1¼" .088" .065"
Pickets Picket Spacing	¾" x ¾" x .055 Wall 1½"
Heights Available	3, 3½, 4, 5 & 6 Ft.
Widths Available	6 & 8 Ft.



# INTEGRITY™

## ALUMINUM PRODUCTS

800.762.8876

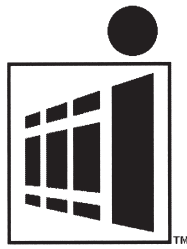


## CAMELOT™ PREMIER EXTREME

DIMENSIONS						
HT	A	B	C	D	E	F
3'	4½"	4½"	21½"	5½"	Per Local Code	
3½'	4½"	4½"	27½"	5½"	Per Local Code	
4'	4½"	4½"	33½"	5½"	Per Local Code	
5'	4½"	4½"	45½"	5½"	Per Local Code	
6'	4½"	4½"	57½"	5½"	Per Local Code	
All Dimensions Are Nominal						

## SPECIFICATIONS COMMERCIAL PREMIER

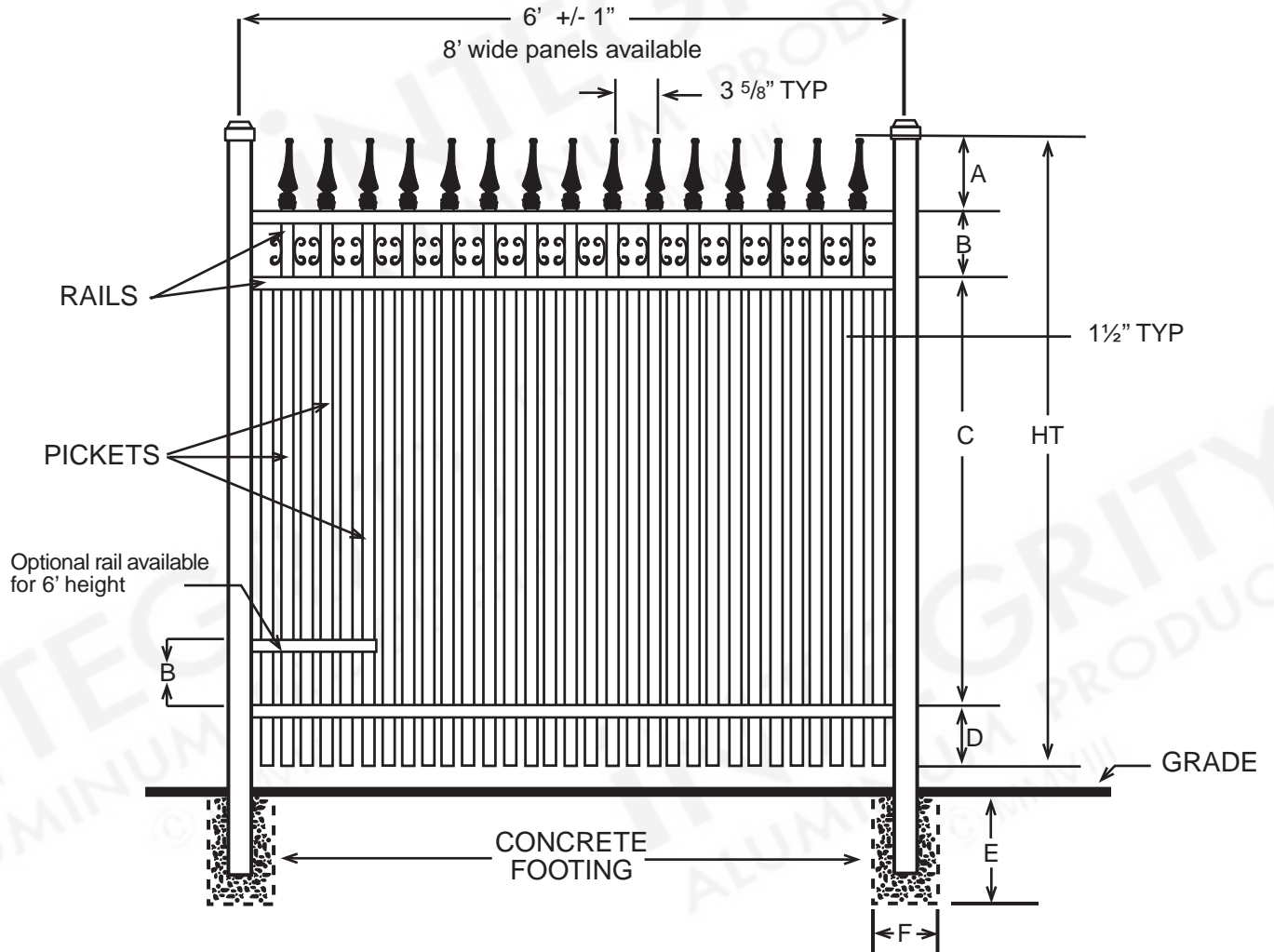
Posts Available	2" x 2" x .080 Wall 2" x 2" x .125 Wall 2½" X 2½" X .100 Wall 3" x 3" x .125 Wall
Horizontal Rails Side Walls Top Walls	1⅜" x 1¼" .088" .065"
Pickets Picket Spacing	¾" x ¾" x .055 Wall 1½"
Heights Available	3, 3½, 4, 5 & 6 Ft.
Widths Available	6 & 8 Ft.



# INTEGRITY™

## ALUMINUM PRODUCTS

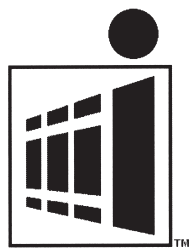
800.762.8876



## CASTILE™ PREMIER EXTREME

DIMENSIONS						
HT	A	B	C	D	E	F
3'	4½"	6"	20"	5½"	Per Local Code	
3½'	4½"	6"	26"	5½"	Per Local Code	
4'	4½"	6"	32"	5½"	Per Local Code	
5'	4½"	6"	44"	5½"	Per Local Code	
6'	4½"	6"	56"	5½"	Per Local Code	
All Dimensions Are Nominal						

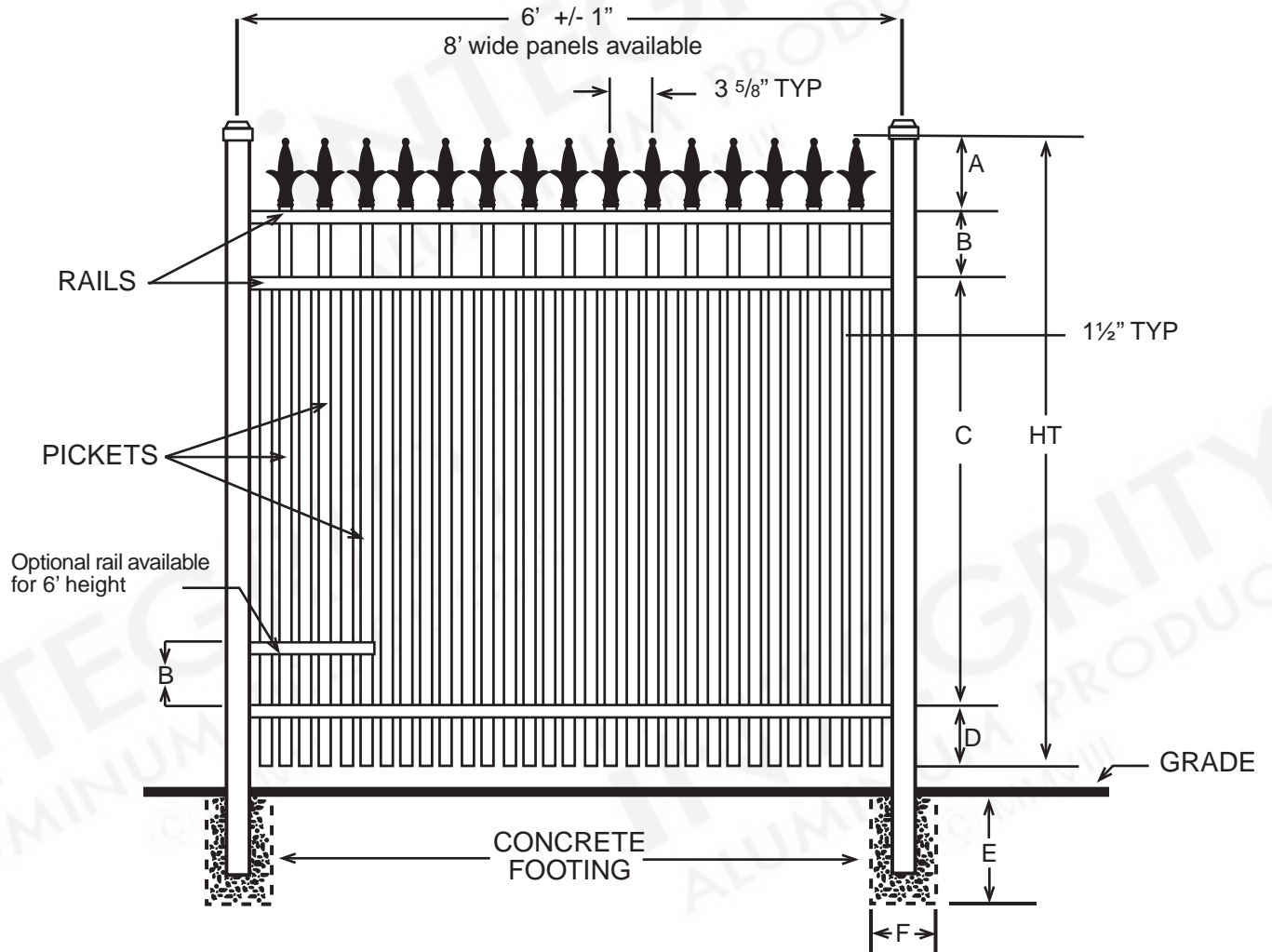
SPECIFICATIONS COMMERCIAL PREMIER	
Posts Available	2" x 2" x .080 Wall 2" x 2" x .125 Wall 2½" X 2½" X .100 Wall 3" x 3" x .125 Wall
Horizontal Rails Side Walls Top Walls	1⅜" x 1¼" .088" .065"
Pickets Picket Spacing	¾" x ¾" x .055 Wall 1½"
Heights Available	3, 3½, 4, 5 & 6 Ft.
Widths Available	6 & 8 Ft.



# INTEGRITY™

## ALUMINUM PRODUCTS

800.762.8876

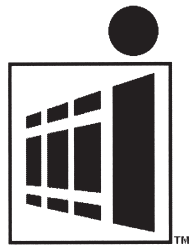


## CHARLEMAGNE™ PREMIER EXTREME

DIMENSIONS						
HT	A	B	C	D	E	F
3'	4½"	6"	20"	5½"	Per Local Code	
3½'	4½"	6"	26"	5½"	Per Local Code	
4'	4½"	6"	32"	5½"	Per Local Code	
5'	4½"	6"	44"	5½"	Per Local Code	
6'	4½"	6"	56"	5½"	Per Local Code	
All Dimensions Are Nominal						

SPECIFICATIONS COMMERCIAL PREMIER	
Posts Available	2" x 2" x .080 Wall 2" x 2" x .125 Wall 2½" X 2½" X .100 Wall 3" x 3" x .125 Wall
Horizontal Rails Side Walls Top Walls	1⅜" x 1¼" .088" .065"
Pickets Picket Spacing	¾" x ¾" x .055 Wall 1½"
Heights Available	3, 3½, 4, 5 & 6 Ft.
Widths Available	6 & 8 Ft.

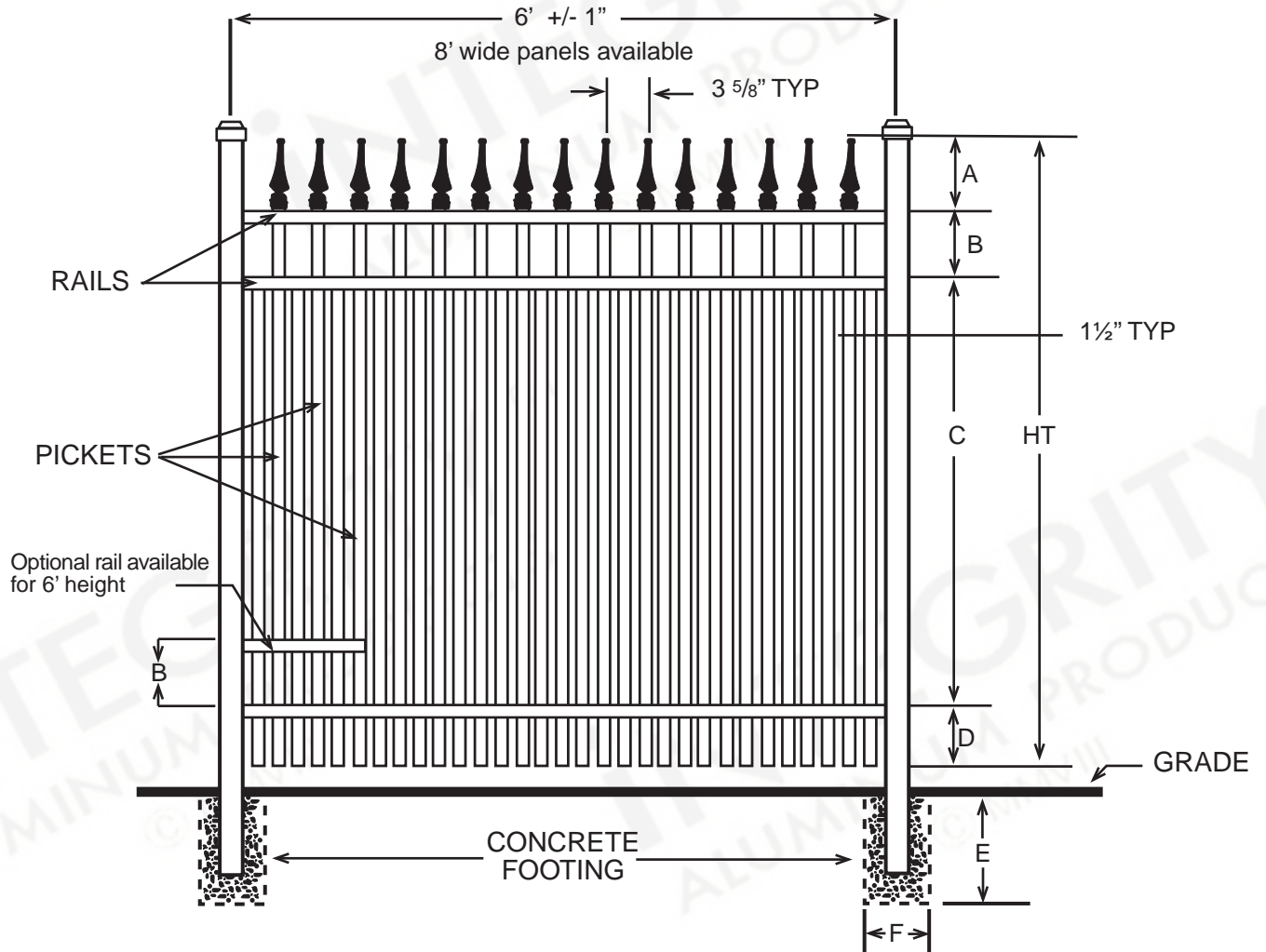




# INTEGRITY™

ALUMINUM PRODUCTS

800.762.8876

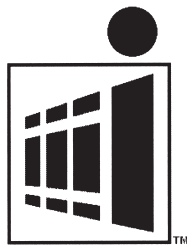


## MISSION POINT™ PREMIER EXTREME

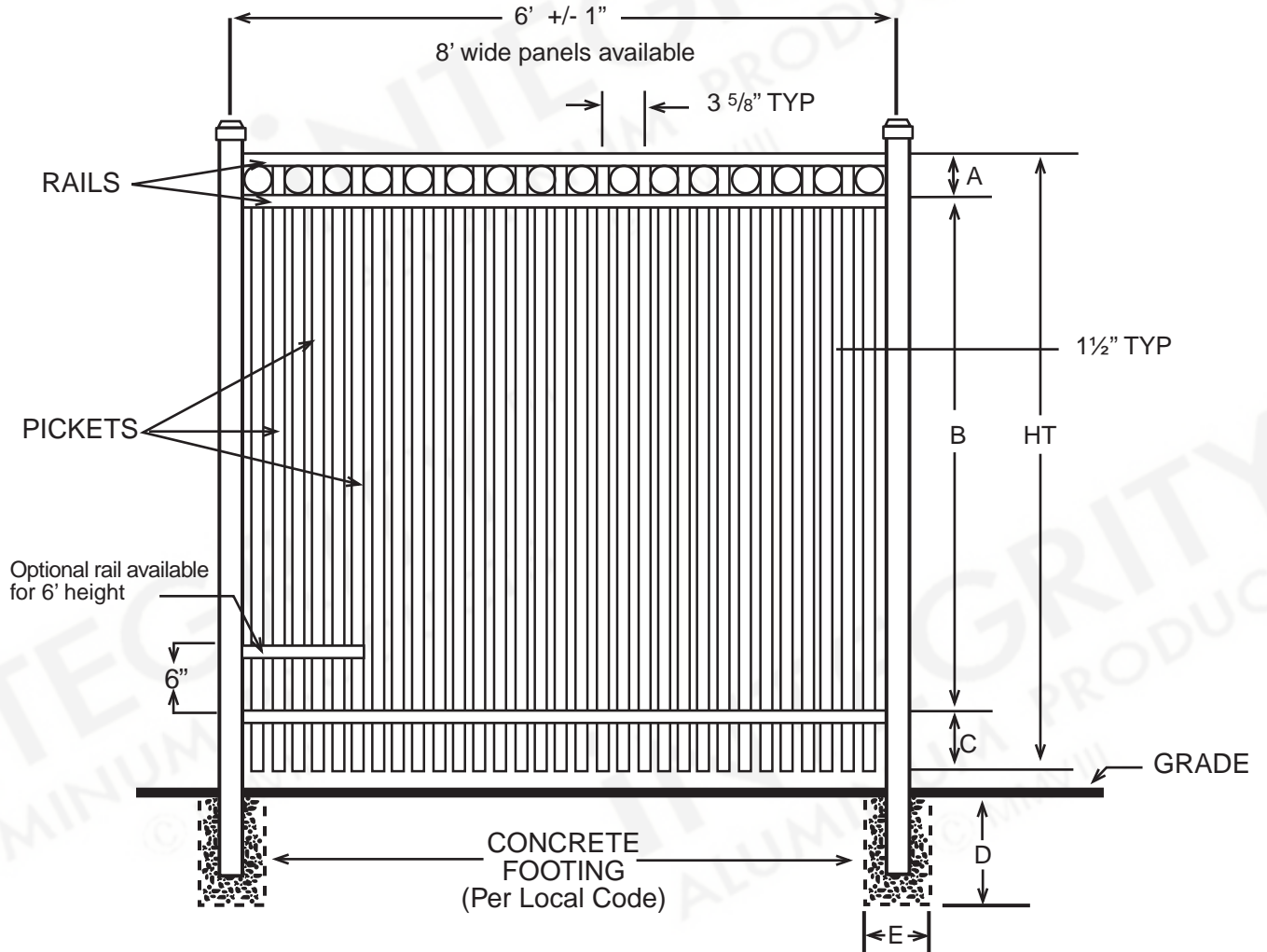
DIMENSIONS						
HT	A	B	C	D	E	F
3'	4½"	6"	20"	5½"	Per Local Code	
3½'	4½"	6"	26"	5½"	Per Local Code	
4'	4½"	6"	32"	5½"	Per Local Code	
5'	4½"	6"	44"	5½"	Per Local Code	
6'	4½"	6"	56"	5½"	Per Local Code	
All Dimensions Are Nominal						

## SPECIFICATIONS COMMERCIAL PREMIER

Posts Available	2" x 2" x .080 Wall 2" x 2" x .125 Wall 2½" X 2½" X .100 Wall 3" x 3" x .125 Wall
Horizontal Rails Side Walls Top Walls	1⅜" x 1¼" .088" .065"
Pickets Picket Spacing	¾" x ¾" x .055 Wall 1½"
Heights Available	3, 3½, 4, 5 & 6 Ft.
Widths Available	6 & 8 Ft.



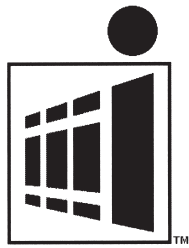
**iNTEGRITY™**  
 ALUMINUM PRODUCTS  
 800.762.8876



## NAPA VALLEY™ PREMIER EXTREME

DIMENSIONS					
HT	A	B	C	D	E
3'	4½"	26"	5½"	Per Local Code	
3½'	4½"	32"	5½"	Per Local Code	
4'	4½"	38"	5½"	Per Local Code	
5'	4½"	50"	5½"	Per Local Code	
6'	4½"	62"	5½"	Per Local Code	
All Dimensions Are Nominal					

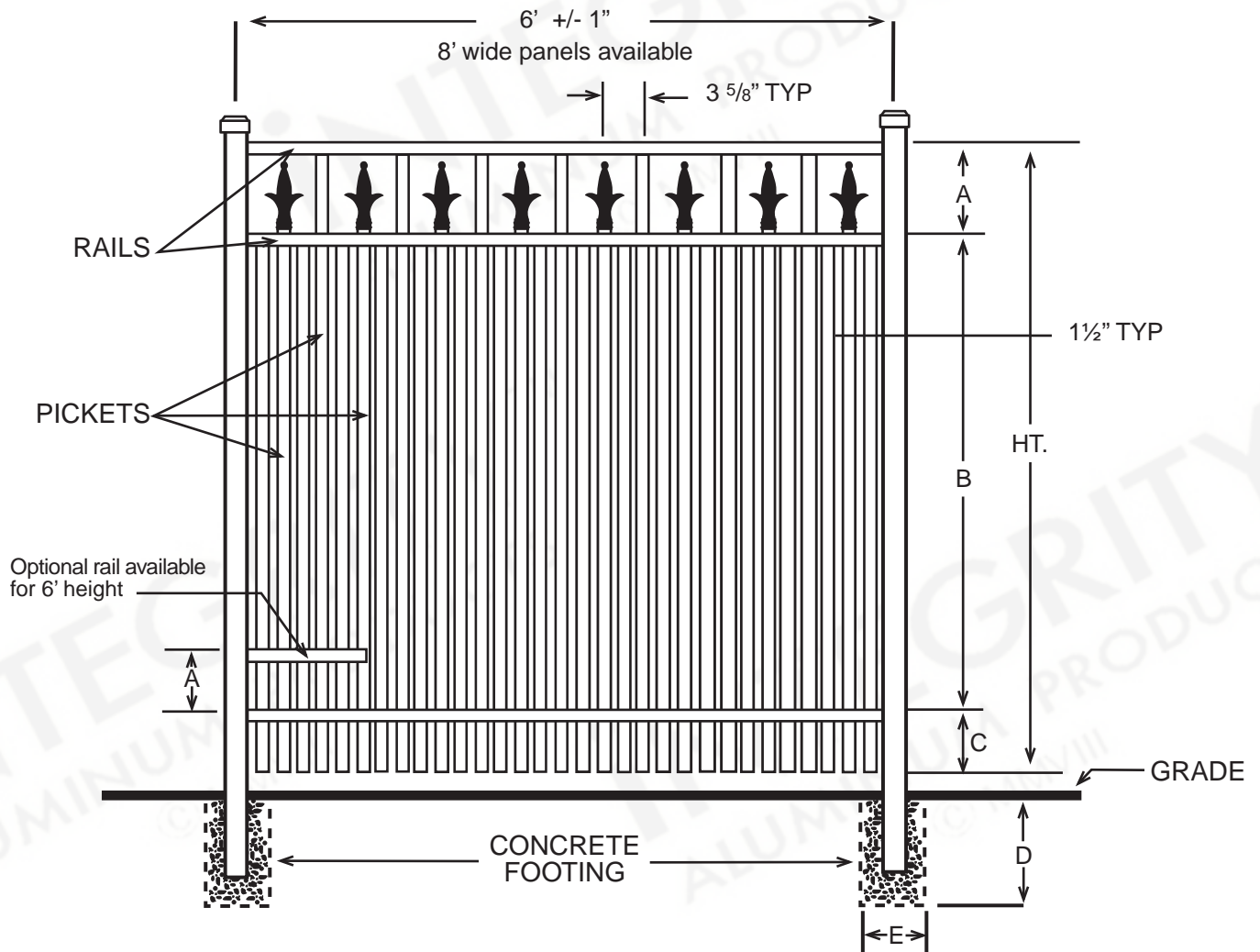
SPECIFICATIONS COMMERCIAL PREMIER	
Posts Available	2" x 2" x .080 Wall 2" x 2" x .125 Wall 2½" X 2½" X .100 Wall 3" x 3" x .125 Wall
Horizontal Rails Side Walls Top Walls	1⅜" x 1¼" .088" .065"
Pickets Picket Spacing	¾" x ¾" x .055 Wall 1½"
Heights Available	3, 3½, 4, 5 & 6 Ft.
Widths Available	6 & 8 Ft.



# INTEGRITY™

## ALUMINUM PRODUCTS

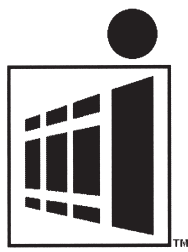
800.762.8876



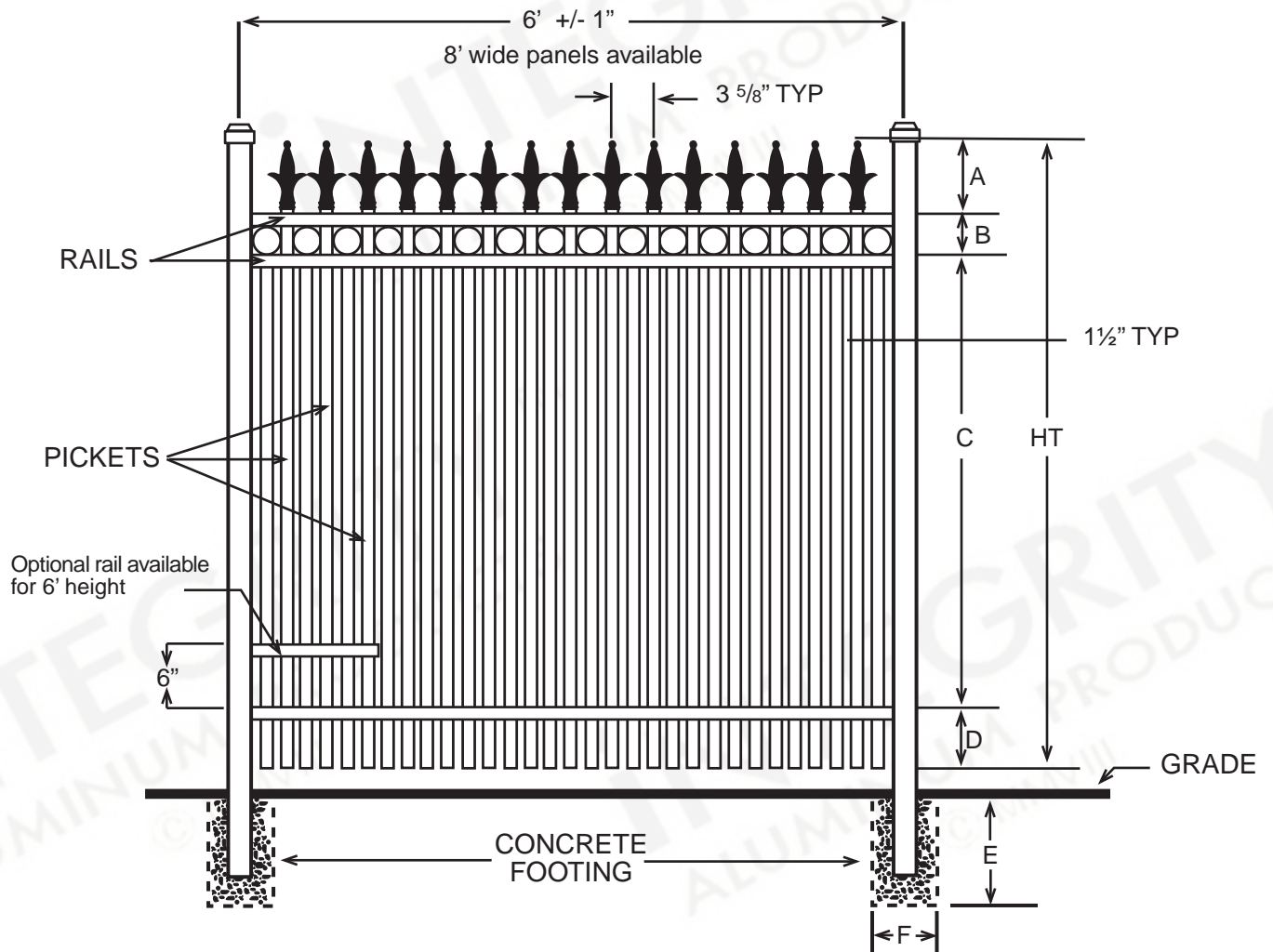
## NEW ORLEANS™ PREMIER EXTREME

DIMENSIONS					
HT	A	B	C	D	E
3'	6"	24½"	5½"	Per Local Code	
3½'	6"	30½"	5½"	Per Local Code	
4'	6"	36½"	5½"	Per Local Code	
5'	6"	48½"	5½"	Per Local Code	
6'	6"	60½"	5½"	Per Local Code	
All Dimensions Are Nominal					

SPECIFICATIONS COMMERCIAL PREMIER	
Posts Available	2" x 2" x .080 Wall 2" x 2" x .125 Wall 2½" X 2½" X .100 Wall 3" x 3" x .125 Wall
Horizontal Rails Side Walls Top Walls	1⅜" x 1¼" .088" .065"
Pickets Picket Spacing	¾" x ¾" x .055 Wall 1½"
Heights Available	3, 3½, 4, 5 & 6 Ft.
Widths Available	6 & 8 Ft.



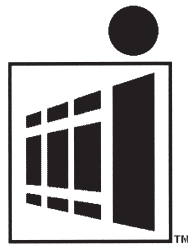
**iNTEGRITY™**  
ALUMINUM PRODUCTS  
800.762.8876



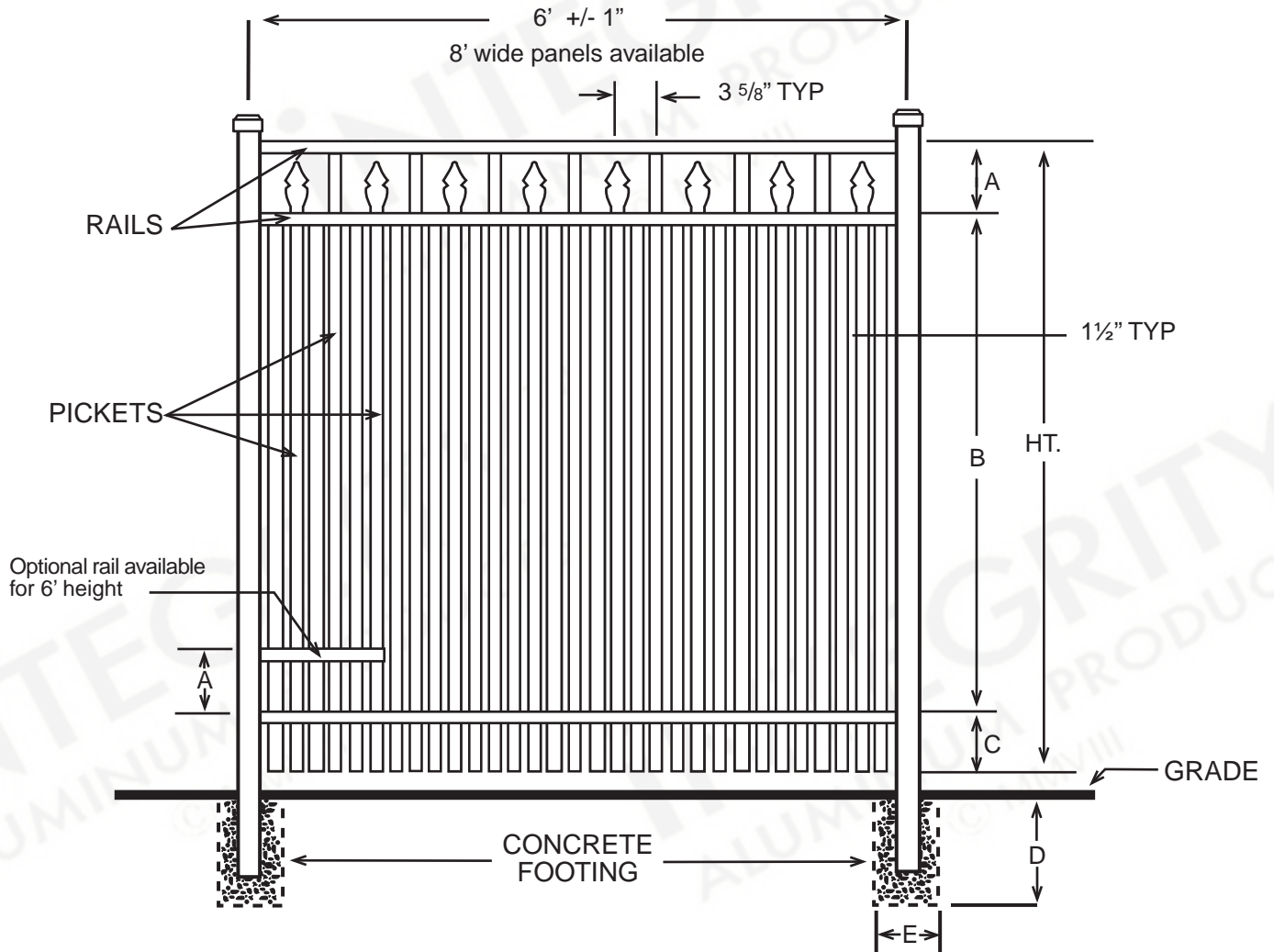
**PROVIDENCE™**  
**PREMIER EXTREME**

DIMENSIONS						
HT	A	B	C	D	E	F
3'	4½"	4½"	21½"	5½"	Per Local Code	
3½'	4½"	4½"	27½"	5½"	Per Local Code	
4'	4½"	4½"	33½"	5½"	Per Local Code	
5'	4½"	4½"	45½"	5½"	Per Local Code	
6'	4½"	4½"	57½"	5½"	Per Local Code	
All Dimensions Are Nominal						

SPECIFICATIONS COMMERCIAL PREMIER	
Posts Available	2" x 2" x .080 Wall 2" x 2" x .125 Wall 2½" X 2½" X .100 Wall 3" x 3" x .125 Wall
Horizontal Rails Side Walls Top Walls	1⅜" x 1¼" .088" .065"
Pickets Picket Spacing	¾" x ¾" x .055 Wall 1½"
Heights Available	3, 3½, 4, 5 & 6 Ft.
Widths Available	6 & 8 Ft.



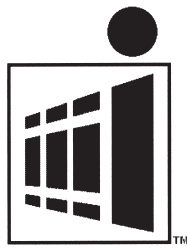
**INTEGRITY**<sup>TM</sup>  
 ALUMINUM PRODUCTS  
 800.762.8876



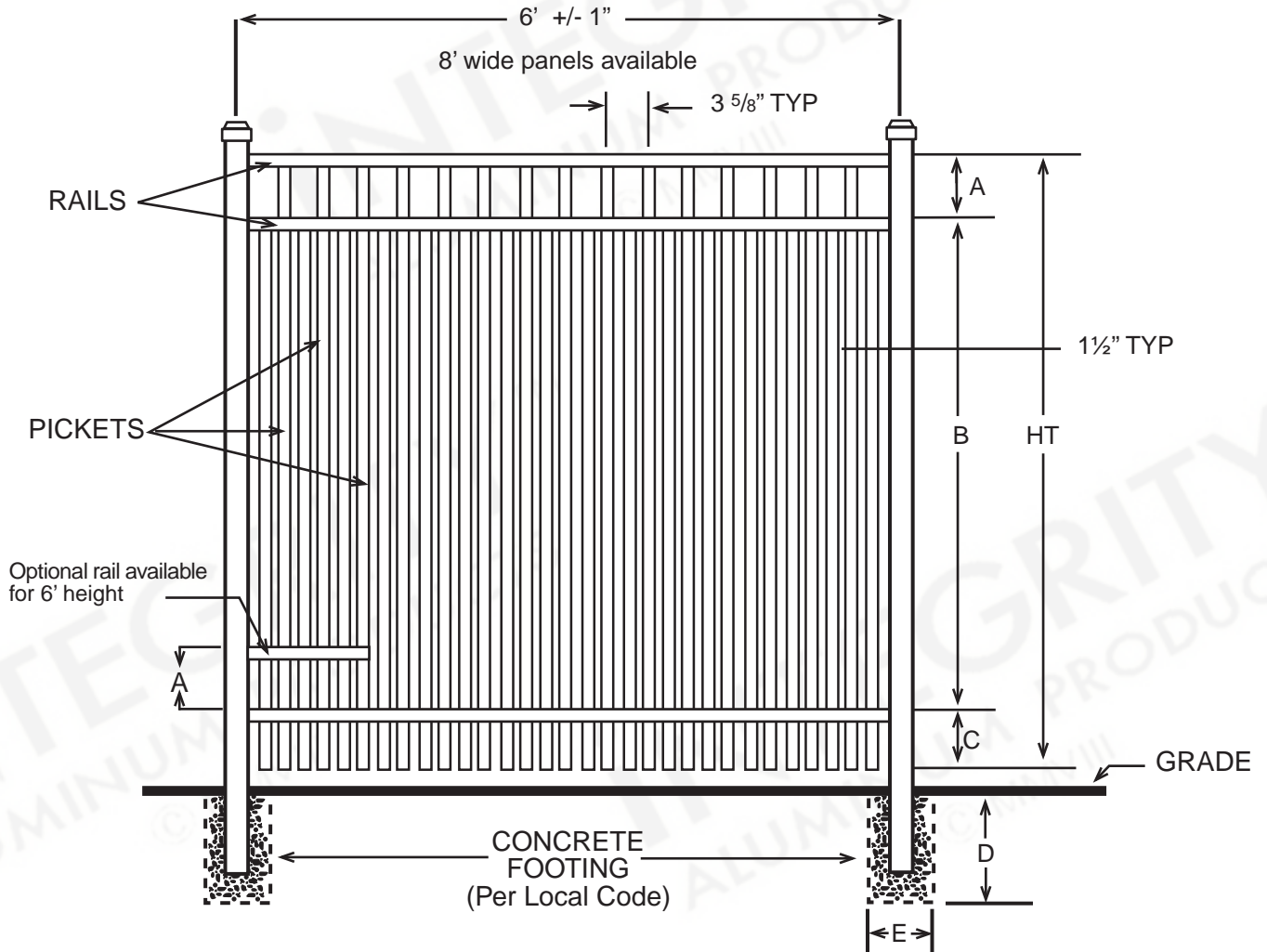
**SANIBEL**<sup>TM</sup>  
 PREMIER EXTREME

DIMENSIONS					
HT	A	B	C	D	E
3'	6"	24 1/2"	5 1/2"	Per Local Code	
3 1/2'	6"	30 1/2"	5 1/2"	Per Local Code	
4'	6"	36 1/2"	5 1/2"	Per Local Code	
5'	6"	48 1/2"	5 1/2"	Per Local Code	
6'	6"	60 1/2"	5 1/2"	Per Local Code	
All Dimensions Are Nominal					

SPECIFICATIONS COMMERCIAL PREMIER	
Posts Available	2" x 2" x .080 Wall 2" x 2" x .125 Wall 2 1/2" X 2 1/2" X .100 Wall 3" x 3" x .125 Wall
Horizontal Rails Side Walls Top Walls	1 3/8" x 1 1/4" .088" .065"
Pickets Picket Spacing	3/4" x 3/4" x .055 Wall 1 1/2"
Heights Available	3, 3 1/2, 4, 5 & 6 Ft.
Widths Available	6 & 8 Ft.



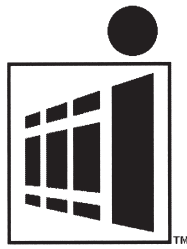
**iNTEGRITY™**  
 ALUMINUM PRODUCTS  
 800.762.8876



**SAN MARINO™**  
 PREMIER EXTREME

DIMENSIONS					
HT	A	B	C	D	E
3'	6"	24½"	5½"	Per Local Code	
3½'	6"	30½"	5½"	Per Local Code	
4'	6"	36½"	5½"	Per Local Code	
5'	6"	48½"	5½"	Per Local Code	
6'	6"	60½"	5½"	Per Local Code	
All Dimensions Are Nominal					

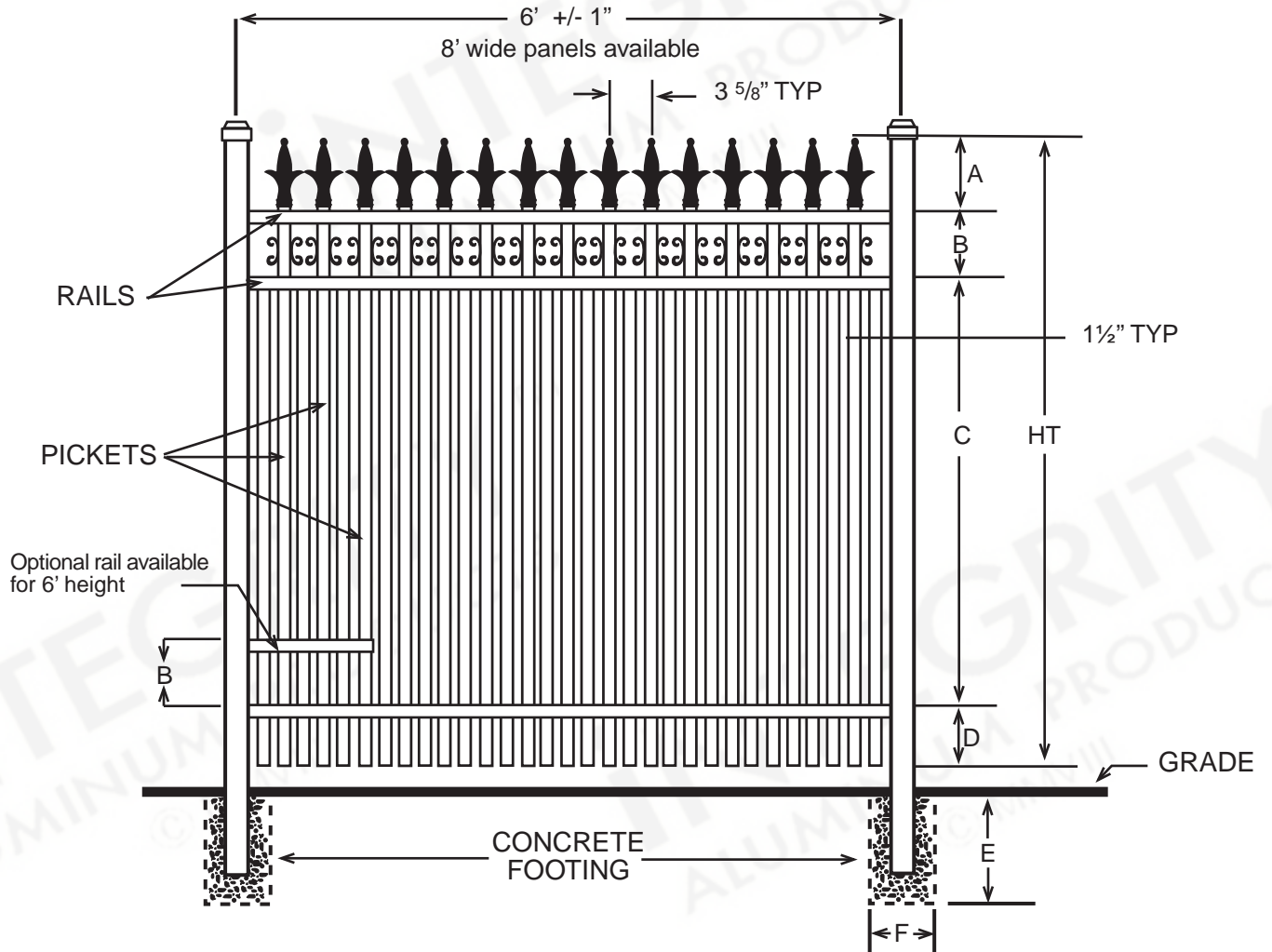
SPECIFICATIONS COMMERCIAL PREMIER	
Posts Available	2" x 2" x .080 Wall 2" x 2" x .125 Wall 2½" X 2½" X .100 Wall 3" x 3" x .125 Wall
Horizontal Rails Side Walls Top Walls	1⅜" x 1¼" .088" .065"
Pickets Picket Spacing	¾" x ¾" x .055 Wall 1½"
Heights Available	3, 3½, 4, 5 & 6 Ft.
Widths Available	6 & 8 Ft.



# INTEGRITY™

## ALUMINUM PRODUCTS

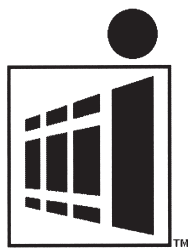
800.762.8876



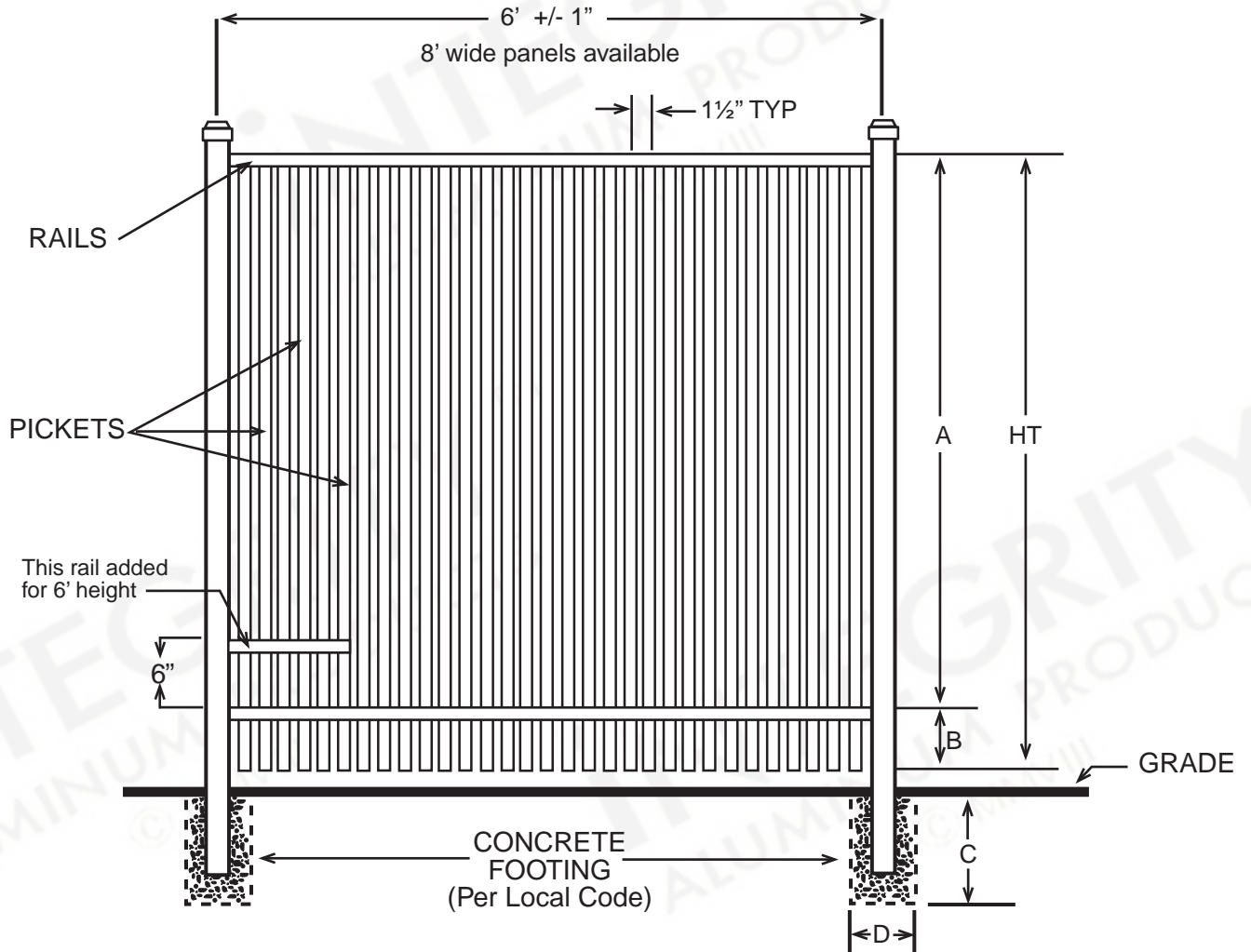
## VALENCIA™ PREMIER EXTREME

DIMENSIONS						
HT	A	B	C	D	E	F
3'	4½"	6"	20"	5½"	Per Local Code	
3½'	4½"	6"	26"	5½"	Per Local Code	
4'	4½"	6"	32"	5½"	Per Local Code	
5'	4½"	6"	44"	5½"	Per Local Code	
6'	4½"	6"	56"	5½"	Per Local Code	
All Dimensions Are Nominal						

SPECIFICATIONS COMMERCIAL PREMIER	
Posts Available	2" x 2" x .080 Wall 2" x 2" x .125 Wall 2½" X 2½" X .100 Wall 3" x 3" x .125 Wall
Horizontal Rails Side Walls Top Walls	1⅜" x 1¼" .088" .065"
Pickets Picket Spacing	¾" x ¾" x .055 Wall 1½"
Heights Available	3, 3½, 4, 5 & 6 Ft.
Widths Available	6 & 8 Ft.



**iNTEGRITY™**  
 ALUMINUM PRODUCTS  
 800.762.8876



**VENTURA™**  
 PREMIER EXTREME

DIMENSIONS				
HT	A	B	C	D
3'	30½"	5½"	Per Local Code	
3½'	36½"	5½"	Per Local Code	
4'	42½"	5½"	Per Local Code	
5'	54½"	5½"	Per Local Code	
6'	66½"	5½"	Per Local Code	
All Dimensions Are Nominal				

SPECIFICATIONS COMMERCIAL PREMIER	
Posts Available	2" x 2" x .080 Wall 2" x 2" x .125 Wall 2½" X 2½" X .100 Wall 3" x 3" x .125 Wall
Horizontal Rails Side Walls Top Walls	1⅜" x 1¼" .088" .065"
Pickets Picket Spacing	¾" x ¾" x .055 Wall 1½"
Heights Available	3, 3½, 4, 5 & 6 Ft.
Widths Available	6 & 8 Ft.